



San Carlos Apache Tribe

Annual Transportation Partnership Meeting

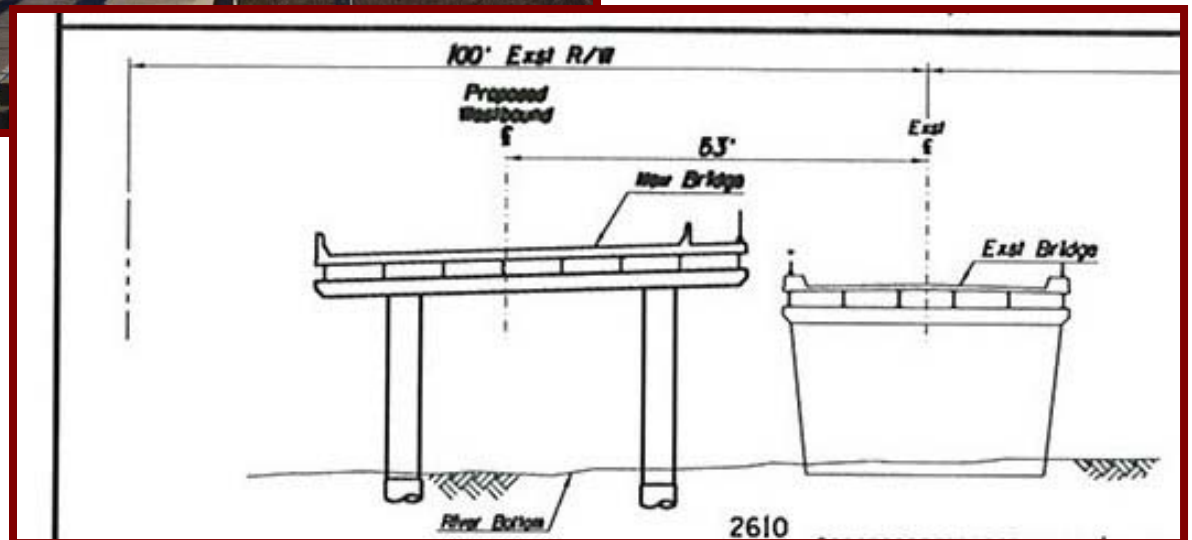
District Update

Tom Engel, PE
Safford District Maintenance Engineer
October 4, 2012
Apache Gold Convention Center

US70 Improvements in Bylas

- Bylas Gila River Bridge
 - FNF Construction started on January 5
 - Contract value \$12.7MM
 - Bridge open by end of calendar year, finish paving in spring
- Pathway from Calva Road to Navajo Road
 - Under design
 - Construction next year
- Safety Improvements
 - Scoping kick-off meeting October 19 in Bylas
 - Implement several recommendations of Road Safety Assessment
 - Thanks to Police Chief Alejandro Ollie for providing crash data – qualified for Federal safety funds (HSIP)

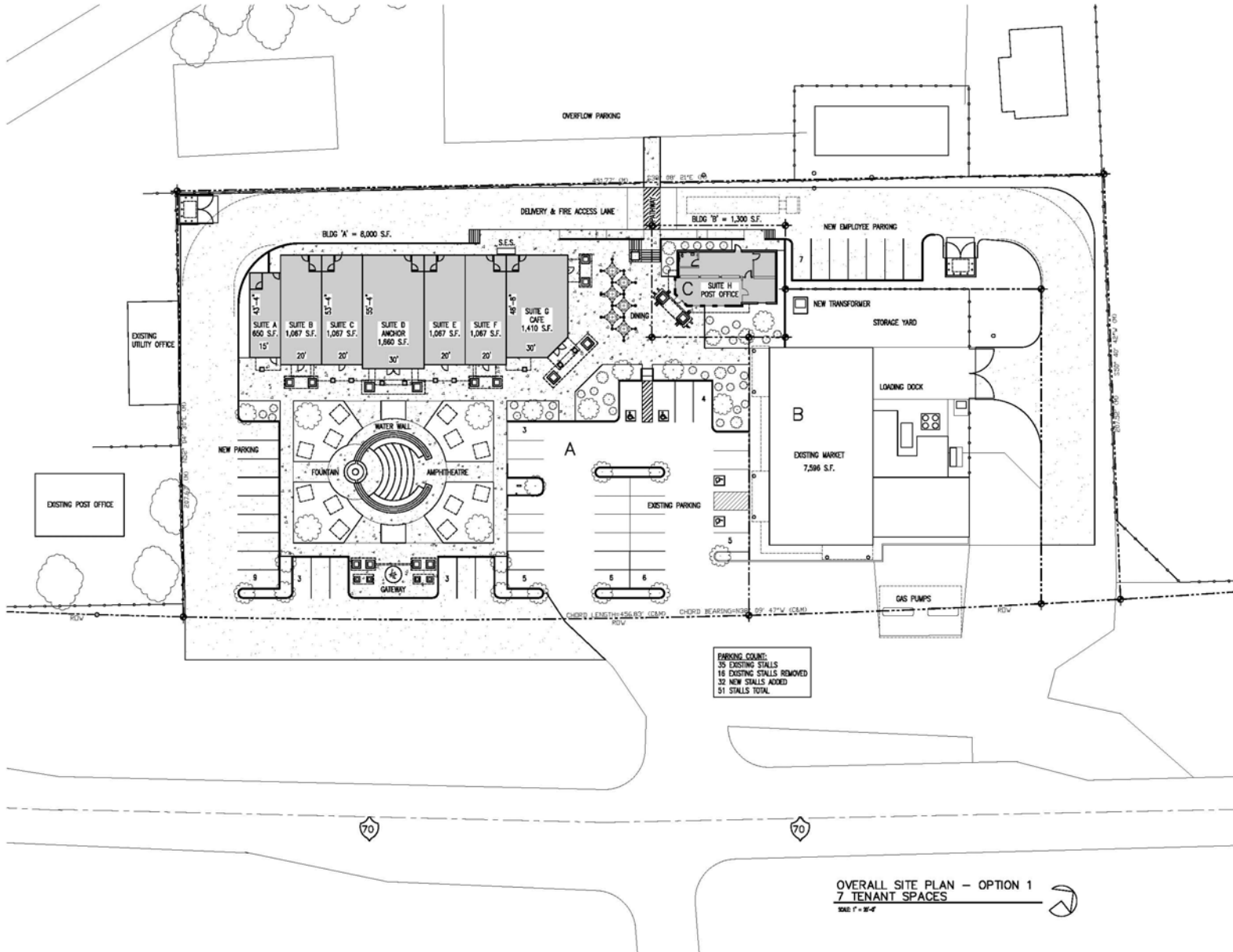
Gila River Bridge in Bylas Yesterday, Today, & Tomorrow



Safety Improvements being Considered

- Roadway
 - Turn lanes at selected intersections
 - Curb, gutter, & raised median for short segment
- Lighting
- Railroad at-grade crossings
- Pedestrian safety
 - At cattle guards at cross-streets
 - Sidewalk tie-ins
- Re-evaluation of speed limit after construction

Business Incubator



PARKING COUNT:
 35 EXISTING STALLS
 16 EXISTING STALLS REMOVED
 32 NEW STALLS ADDED
 81 STALLS TOTAL

SSP ARCHITECTS
 SCHNEIDER
 SHAY PIAN
 & PITTENGER
 ARCHITECTS LLP.

8691 E. VIA DE NEOSICO
 SCOTTSDALE, AZ 85208
 TEL: (480) 991-0800
 FAX: (480) 991-2823
 www.SSPWArchitects.com

THIS DRAWING IS AN INSTRUMENT OF SERVICE AND IS THE PROPERTY OF SSPW ARCHITECTS & MAY NOT BE REPRODUCED OR REPRODUCED HEREIN WITHOUT WRITTEN PERMISSION.
 CHECKED BY: WRP
 DRAWN BY: JTB

BYLAS RETAIL CENTER
 BYLAS, ARIZONA
 OVERALL SITE PLAN - OPTION 1

PRELIMINARY
 NOT FOR CONSTRUCTION

DATE: 1/09
 JOB NO.: 0812
 SHEET:
 SP1.0

OVERALL SITE PLAN - OPTION 1
 7 TENANT SPACES
 SCALE: 1" = 30'-0"



EB US70 approaching
Connector Road at 295.14
-Need RT & LT turn lanes



EB US70 approaching
PD & Clinic
-Begin C&G, raised median
-WB RT turn lane



EB US70 approaching
Home Alone
-ADA compliance @ CG
-RR upgrade
-Lighting issues

EB US70 approaching
Rest Area & Community
Facilities
-Pedestrians
-Regional traffic





- EB US70 approaching Store
- Pedestrians
 - Alignment of driveway w/street
 - Transit stop
 - Adjacent business incubator

- WB US70 approaching Store
- Poorly defined driveways
 - No defined pedestrian paths
 - Truck & RV parking



Thanks for your help!

Questions?

